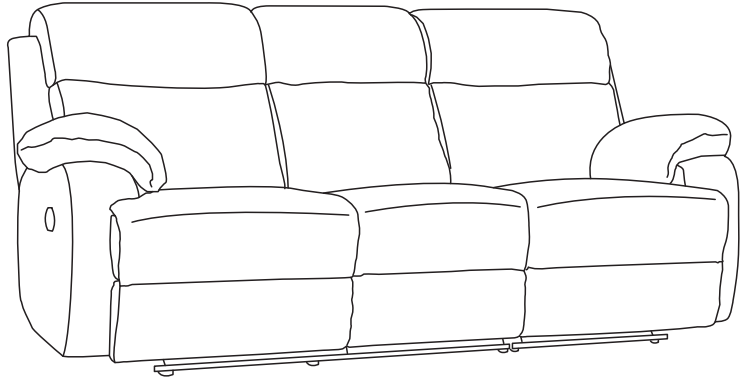
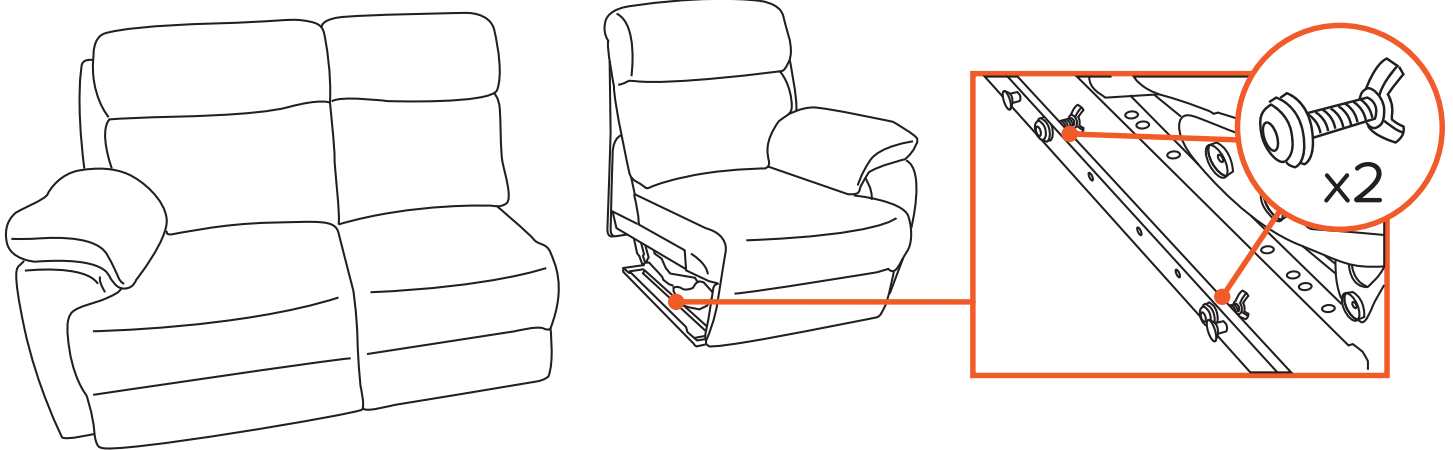


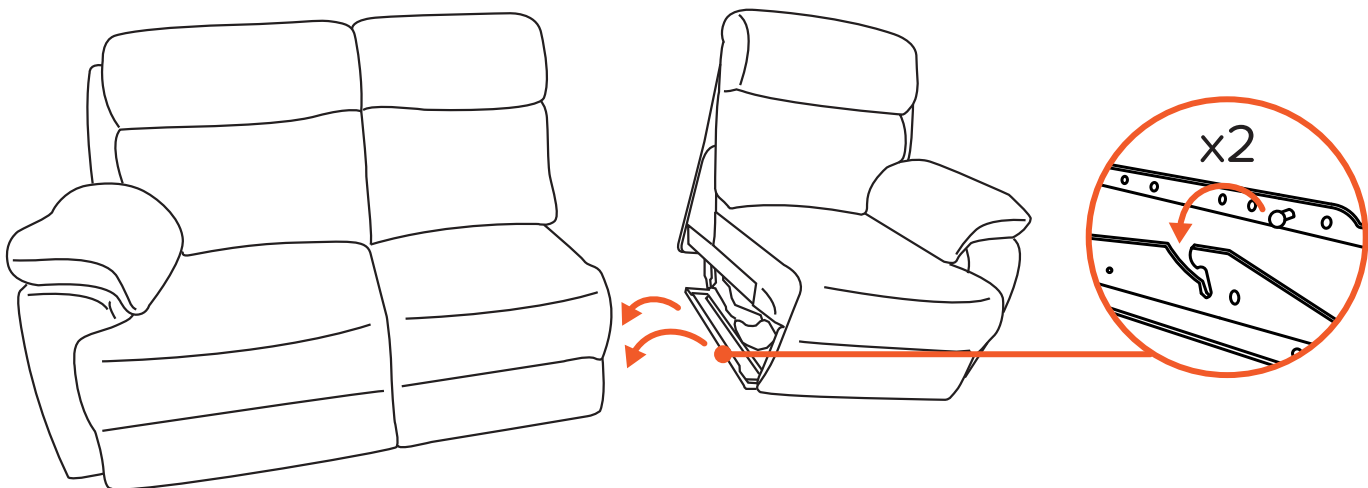
**IMPORTANT:** Please read these assembly instructions carefully before beginning assembly. Retain for future reference.  
**CAUTION:** This product is heavy. Assemble with the assistance of another adult. Do not assemble in the presence of children.



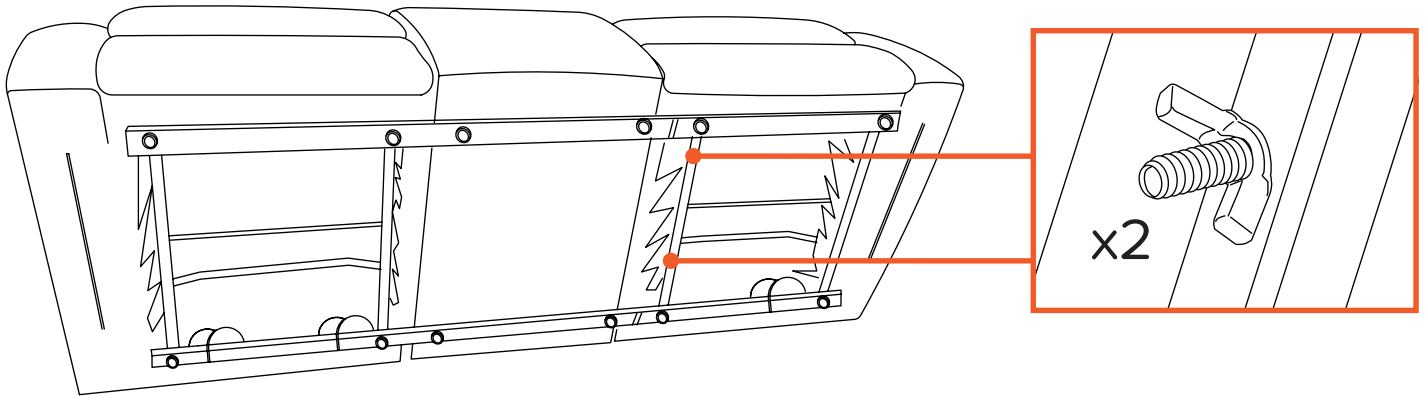
**1:** The 3 seat sofa is split into a 2-seater base and a 1-seater base. On the bottom edge of the 1-seater base frame, you will find 2 wingnuts that need to be unscrewed from the frame and set aside for Step 3.



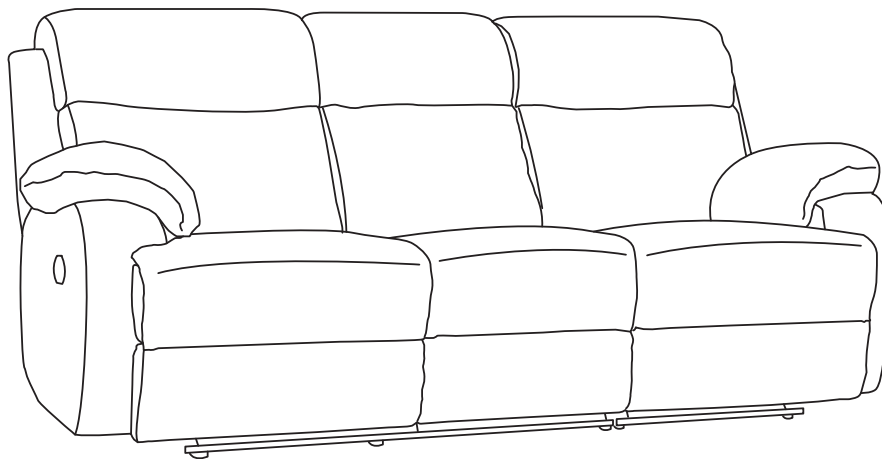
**2:** Carefully lift the 1-seater base and align the locking pins on the 1-seater frame into the slots on the 2-seater frame:



- 3:** With the assistance of a second person, carefully tilt the 3 seat sofa onto its back over a clean & clear surface where no objects will damage or touch the back of the sofa. Take the wingnuts from Step 1, and use them to fasten the 2-seater base and the 1-seater base together. **The bolt needs to be inserted starting from the 1-seater side and exiting out from the 2-seater side, per below diagram:**



**Carefully upright the 3 seater sofa and you are ready to enjoy your new lounge:**



Scan QR code to download product warranty  
PDF booklet from [synargy.com](http://synargy.com)



This appliance is not intended for use by persons (including children) with reduced physical, sensory or mental capabilities, or lack of experience or knowledge, unless they have been given supervision or instruction concerning use of the appliance by a person responsible for their safety. Children should be supervised to ensure that they do not play with the appliance.